



Maritime

FLEET-WIDE BROADBAND SOLUTIONS

SES Networks Maritime Solutions are revolutionising internet connectivity and communications on cruise ships and vessels of all sizes, providing ship operators with the lowest latency, highest performance scalable broadband services available at sea, with internet speeds comparable to fiber performance found onshore.

Connect, Engage and Entertain

The unparalleled network performance and flexibility of SES Networks' Medium Earth Orbit (MEO) and Geostationary Orbiting (GEO) satellite constellations, combined with extensive terrestrial network capacity, ensure cruise-goers can always connect at broadband speeds to engage virtually with colleagues, friends, and family when at sea or in port.

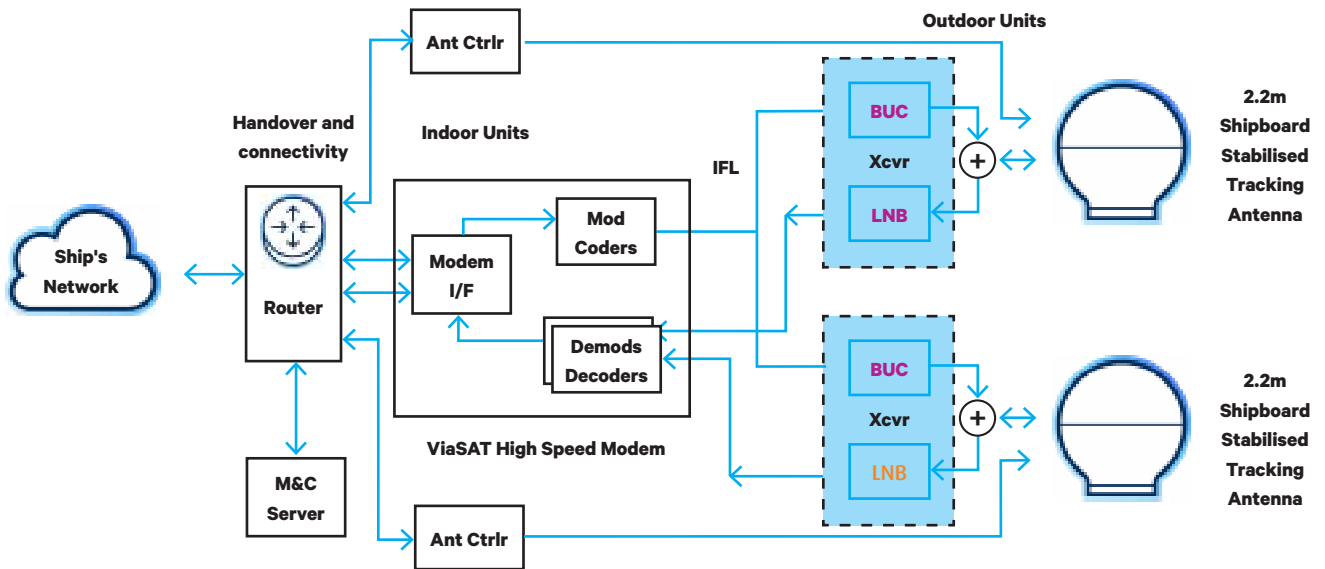
Key Features

- Fully managed, low latency, resilient MEO, GEO HTS satellite connectivity
- Scalable capacity in Ka, Ku and C bands
- No need for VSAT hardware
- Global infrastructure linked to major internet peering points
- Directly connected to CDN and service provider networks
- Quality of Service (QoS) network traffic mapping and monitoring
- Industry-leading redundant, compact advanced tracking antennas
- Modems/basebands from iDirect, ViaSat, Newtech, and Comtec
- Guest internet portal with multiple plans

Benefits

- Enhance passengers' quality of experience to increase satisfaction
- Increase fleet-wide and individual ship network capacity on-demand
- Guarantee network service quality and continuous optimisation
- Customise SLAs, coverage areas and usage schedules
- Gain insights from remote control over onboard data
- Guarantee network uptime with a consistent Quality of Experience (QoE)

Maritime Solution Architecture



Enhance the cruise guest experience with SES Networks' industry leading onboard digital entertainment and communications services delivered fleet-wide via low latency Medium Earth Orbit (MEO) spot beam connections with data rates up to 1Gbps throughput capacity. Backup/failover capabilities are provided by Ku/C band Geostationary (GEO) connectivity to guarantee up to 99.7% availability for integrated onboard data, voice, and video services with redundant shore-side connectivity to ISP and peering points.

Per Ship, Zone or Fleetwide Capacity

Cruise ship operators can scale dedicated, low latency bandwidth per ship, regional area or fleet-wide as needed. Capacity is provided via steerable tracking beams, dual tracking antennas, and redundant gateways with seamless handovers in the event of blockages. With little upfront cost, and without the need for traditional VSAT hardware, cruise line operator investments and risks are reduced. Maritime Solutions also include 24x7 network monitoring, remote hands, and real-time updating of route data.



Learn more about SES Networks' full portfolio of services and solutions.
Website: ses.com/networks

